

Standard Conditions of Sale

The catalogue description and any exhibition of samples are only broad indications of the Products and Drury Precision Engineering Limited may make design changes which do not diminish their performance or visual appeal and supplying them in such state shall conform to the order.

The Buyer acknowledges no representation or warranty (other than as to title) has been given or will apply to the Products other than those in Drury Precision Engineering Limited order or confirmation and the Buyer confirms it has chosen the Products as being of merchantable quality and suitable for its particular purposes.

The Buyer is responsible for ensuring that the warranty on the motorcycle is not affected by the fitting of the products.

On return of any defective Products Drury Precision Engineering Limited shall at its option either supply a replacement or refund the purchase money but shall not be liable if the Products have been modified or used or maintained otherwise than in accordance with Drury Precision Engineering Limited instructions and good engineering practice or if the defect arises from accident or neglect.

Other than identified above and subject to Drury Precision Engineering Limited not limiting its liability for causing death and personal injury, it shall not be liable for indirect or consequential loss and otherwise its liability shall be limited to the amounts paid by the Buyer for the Products.

These terms do not affect the Buyer's statutory rights.
If you require any further information, then please contact us:

Phone: UK Callers: 0800 634 2801
International Callers: +44 1507 466729
Fax: +44 (0) 1507 462 790
Email: sales@evotech-performance.com

Please note that the above is for your information only and does not constitute the Terms and Conditions of your purchase. These can be found on our website www.evotech-performance.com. If you do not have internet access, you can obtain our Terms and Conditions by writing to us at the above address.

Returns, Refunds and Replacements

We hope you are happy with your purchase from Evotech Performance. However, if you wish to return or replace a product, then please carefully read the information and follow the instructions below before sending back your item.

If, within 30 days, you wish to return a product that is not faulty, we will be happy to accept it back, providing that it is undamaged and in a re-sellable condition. You will have to pay the return postage and we will discount your refund by a 10% re-packaging and re-stocking fee. We will not refund the original postage.

If the product is faulty, or the wrong part, or any other reason that is our fault we will also refund the return postage costs.

In either event, please ask for advice when you wish to return anything by calling 0800 634 2801 or by emailing sales@evotech-performance.com, we will advise the best method of returning it.

If a product should develop a fault after 30 days, please contact us to discuss.

Please let us know why you wish to return the product.

If you are returning faulty goods, you are entitled to a refund or a replacement part. Please indicate which you prefer.

Please ensure that the goods are packed securely, and include all of the original parts, using the original packaging where possible. If necessary place in suitable extra packaging to protect the goods whilst in transit to us.

Please make sure that you obtain and retain Proof of Posting Certificate from the Post Office when you return your goods. This is to protect you in the event that your goods are lost in transit; they remain your responsibility until they reach us.

Returns Address:

Evotech Performance, Beechings Way, Alford, Lincolnshire, LN13 9JE, United Kingdom.



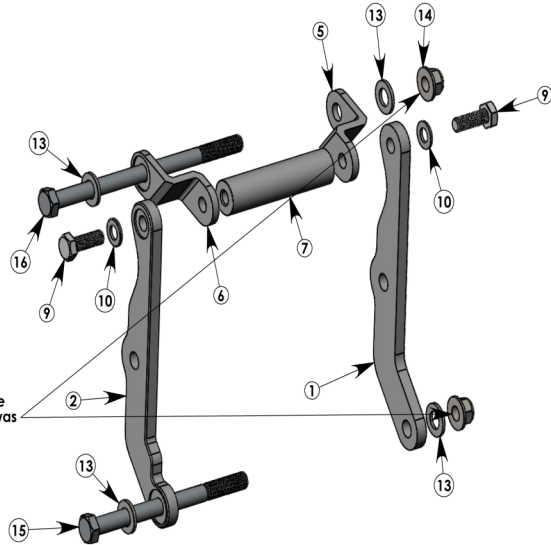
EVOTECH
P E R F O R M A N C E

Installation Instructions Triumph Crash Protection

Product Reference –10433

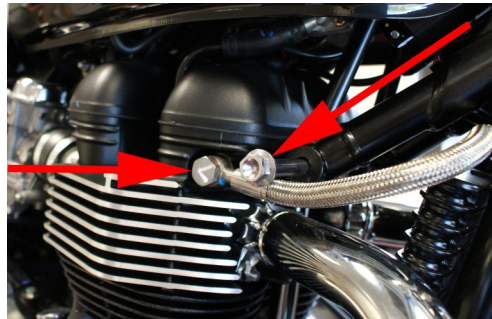
www.evotech-performance.com

ITEM NO.	PART NUMBER	DESCRIPTION	QTY.
1	010434	L/H Side Plate	1
2	010435	R/H Side Plate	1
5	010436	L/H Top Bracket	1
6	010437	R/H Top Bracket	1
7	010438	Mid Spacer Upper	1
9	N/A	Hex M10 x 30 x 1.25	2
10	N/A	M10 Washer	2
13	N/A	M12 Washer	4
14	N/A	M12 Flange Nut (original part)	2
15	N/A	Hex M12 - 150 x 1.25	1
16	N/A	Hex M12 - 185 x 1.25	1

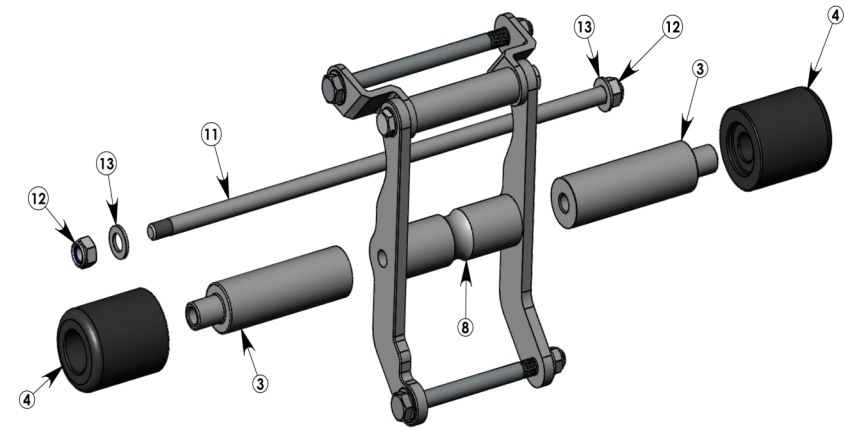


Fitting Instructions

- Loosen oil hoses both sides as shown in picture.
- Remove upper engine bolt as shown in picture.
- All bolts should not be full tightened until stated.
- Assemble upper brackets 5 and 6 to upper engine mount using a M12 x 185 bolt. 2 washers and the original nut. Do not full tighten.
- Remove bottom engine mount bolt
- From the r/h side of the bike. Fit bracket 2 using M12 x 150 and 1 washer. Through the bottom engine mount.
- Fit the mid spacer upper using the M10 x 30 and 1 washer.
- On the l/h side of the bike Fit bracket 2 using 1 washer and the original nut.



ITEM NO.	PART NUMBER	DESCRIPTION	Explode 2/QTY.
1	006721	M12 Spindle (450mm Long)	1
2	007077	Large Bobbin Head	2
8	010439	Mid Spacer	1
9	010440	Bobbin Spacer	2
12	N/A	M12 Nyloc	2
13	N/A	M12 Washer	2



- Fit bracket 2 to mid spacer upper using M10 x 30 and 1 washer .
- From the r/h side of the bike fit the lower mid spacer using the main shaft as support.
- Assemble spacer 3 and bobbin head 4 using M12 washer and nut.
- From the l/h assemble spacer 3 and bobbin head 4 using M12 washer and nut.
- Tightening pattern. Please ensure all washers are homed in their location positions.
First the main bobbin assembly
Second bottom main engine bolt
Third the upper engine bolt
Fourth the mid upper spacer.
- Re tighten the oil hose bolt.

Please visit: www.evotech-performance.com
to view our full product range