



EVOTECH®
P E R F O R M A N C E

Installation Instructions

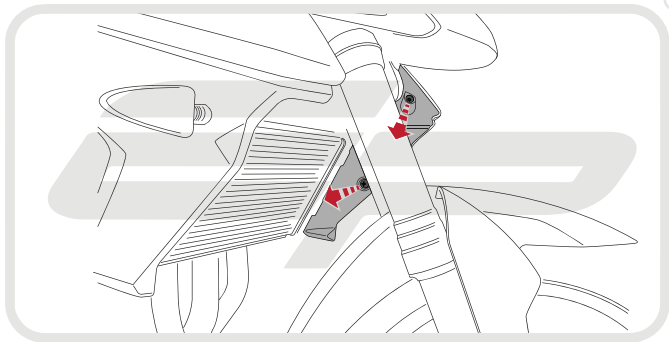


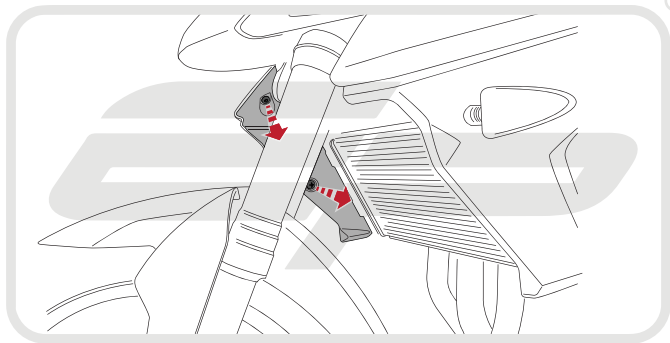
**TRIUMPH TIGER 800 XRx 2015
RADIATOR GUARD**

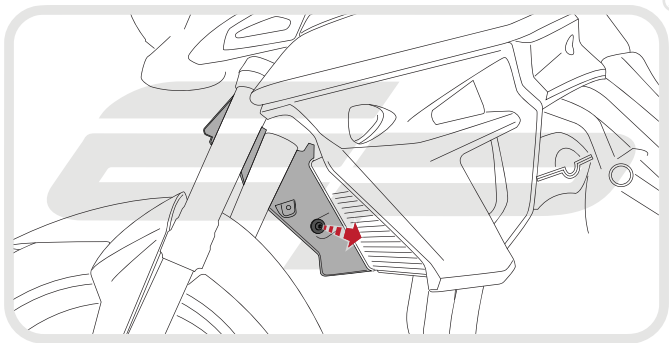
Product Reference - 12381

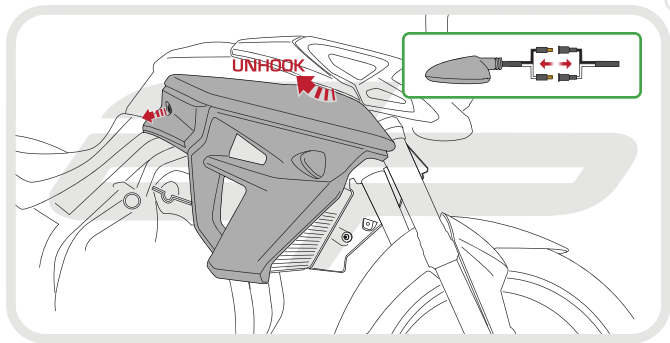
Kit Contents

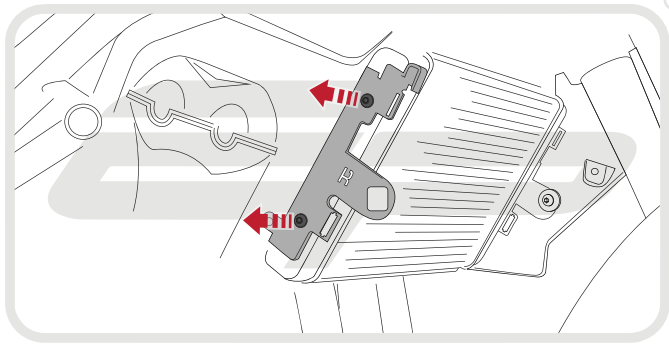
- (A)** 1 x Radiator Guard
- (B)** 1 x Neoprene Foam

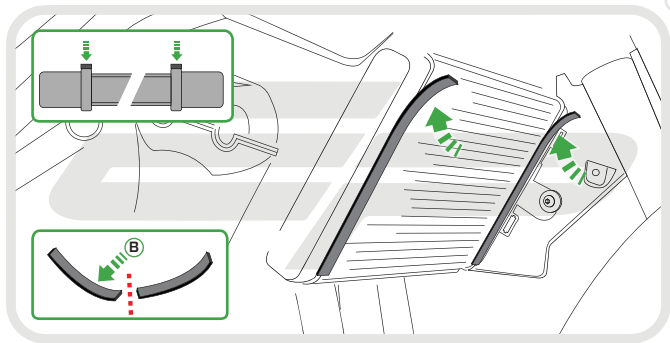


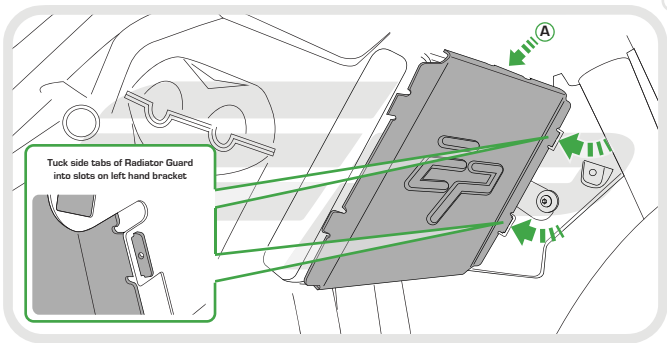


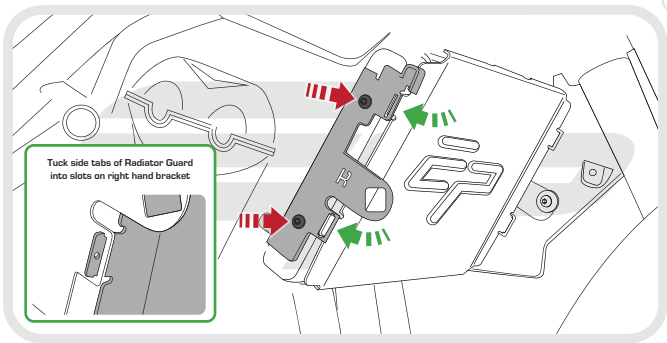














Reverse Stage

4 - 1



ESSENTIAL CHECKS



It is recommended that periodic inspections are made to ensure that dirt and debris have not become trapped between the guard and the radiator/oil cooler. Such dirt and debris would reduce the cooling efficiency of the radiator/oil cooler.

It is recommended that periodic inspections are made to ensure that all fixings are fully tightened.



EVOTECH®
P E R F O R M A N C E

www.evotech-performance.com